

Product Description

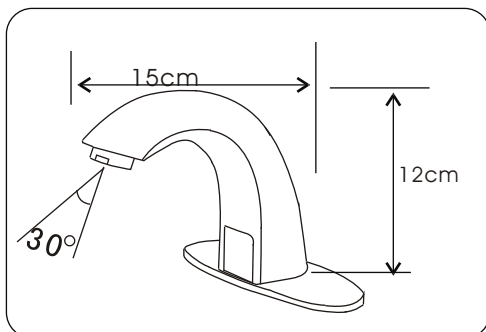
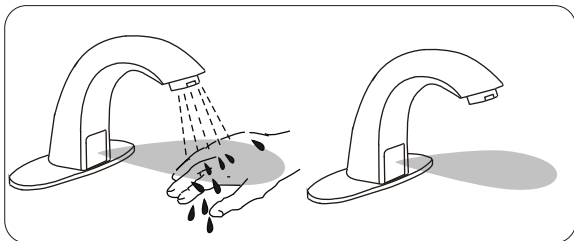
- No-Touch automatic faucets and accessories Systems
- Electronic infrared sensor with technology accurate activation
- employs the latest in plug and play digital electronics, solid brass solenoid valve. Simple and robust, this traditionally designed faucet is manufactured
- The automatic no-touch infrared sensors eliminates cross-contamination.
- 70% Water Savings Extensive testing shows a significant decrease in average water usage and cost. Best Performance Level
- Suitable for many locations including hotels, educational establishments, hospitals and doctors surgeries, airports, utility washrooms, public conveniences and semi-industrial locations, the Classic faucet is very reliable - and very effective.

Features

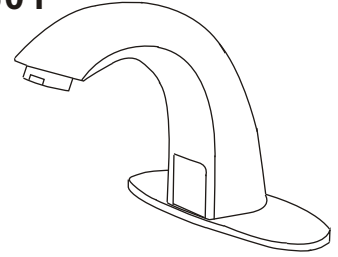
- Solid Brass Construction
- Single-hole Mounting
- Sensor type : Active Electronic infrared Sensor
- Power: DC6V(four 5#-alkaline Battery)/ AC Adapter Optional
- Battery life expectancy: 150,000 cycles
- Sensing Range: 5cm" to 25cm" Adjustable
- Water Temperature Control: Optional
- Working Water Pressure: 0.07Mpa -0.7 Mpa
- Supply Inlet Size: 1/2" Male
- Solenoid valve: 6 Volt magnet latching
- Response Time: 0.3 Second
- Shut-Off Delay Time: 2 Seconds
- Maximum Running Time: 60 Seconds
- Operating Temperature: 1° C to 60° C

Operations

- 1) Invisible light rays are continually emitted from the faucet sensor.
- 2) When the user's hands come into range of the sensor's detection zone, the valve is activated.
- 3) After the user removes their hands, the valve closes. The circuit automatically resets for the next user.
- 4) If an object is in view continuously for sixty seconds, the faucet will automatically shut off. The faucet will remain off until the object is removed. After the object is removed, the faucet functions normally.



ELECTRONIC FAUCET BD-8801



Colors/Finishes: Polished Chrome

